

ZL-1501 *Zwei L* Stainless Steel Door Handle

Features

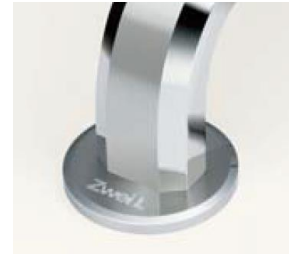
- Superior "Zwei L Finish" - *Zwei L* represents the very pinnacle of ultra-premium Japanese hardware design. The contrasting bands of mirror finish and lustrous satin on a faceted profile give a jewel like finish that highlights and enhances any industrial design
- Able to install on doors made of glass, wood, or metal

Material

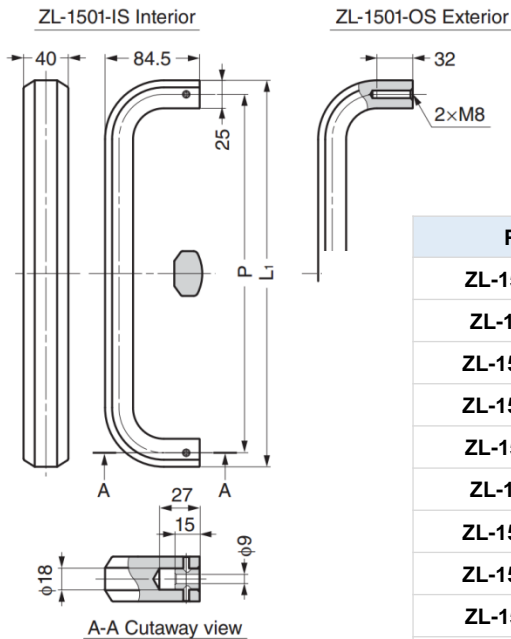
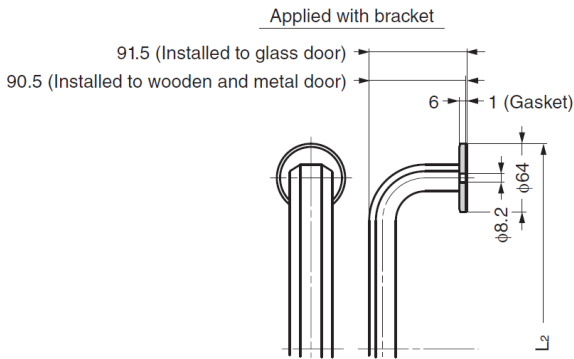
- Stainless steel 316, *Zwei L* finish

Notes

- Screws are not included in **ZL-1501-OS** and **ZL-1501-IS**
- Bore holes with ± 1 mm tolerance



**Bracket ZL-1501-R
(Sold Separately)**



Bracket Sold Separately

| Part No. |
|-----------|
| ZL-1501-R |

| Part No. | Type | L ₁ | L ₂ | P |
|------------------|------------------------|----------------|----------------|-------|
| ZL-1501-OS-320 | Exterior | 345 | 384 | 320 |
| ZL-1501-IS-320 | Interior | | | |
| ZL-1501-WN-320 | Back-to-Back | | | |
| ZL-1501-WR-320 | Back-to-Back with Base | | | |
| ZL-1501-OS-640 | Exterior | 665 | 704 | 640 |
| ZL-1501-IS-640 | Interior | | | |
| ZL-1501-WN-640 | Back-to-Back | | | |
| ZL-1501-WR-640 | Back-to-Back with Base | | | |
| ZL-1501-OS-960 | Exterior | 985 | 1,024 | 960 |
| ZL-1501-IS-960 | Interior | | | |
| ZL-1501-WN-960 | Back-to-Back | | | |
| ZL-1501-WR-960 | Back-to-Back with Base | | | |
| ZL-1501-IS-1280* | Interior | 1,305 | 1,344 | 1,280 |
| ZL-1501-IS-1600* | Interior | 1,625 | 1,664 | 1,600 |

*Made-to-order

| Working Diagram | | Door Thickness (mm) | Door Hole (mm) | Item Name | |
|---|--------------------|---------------------|--|------------|-------------------------|
| Back-to-Back on Glass Door | With Base Plate | | 6~16 | φ 16 | ZL-1501-WR |
| | Without Base Plate | | 37~57 | φ 9 | ZL-1501-WN |
| Back-to-Back on Wooden/Metal Frame Door | With Base Plate | | 25~45 | φ 9 | ZL-1501-WR |
| | Without Base Plate | | 37~57 | φ 9 | ZL-1501-WN |
| | With Base Plate | | Screws not included. Base Plate (ZL-1501-R) sold separately | φ 9 | ZL-1501-OS ZL-1501-R |
| | Without Base Plate | | | — | ZL-1501-IS ZL-1501-R |
| With Base Plate | | φ 9 | | ZL-1501-OS | |
| Without Base Plate | | — | | ZL-1501-IS | |

*If door thickness exceeds recommended thickness, a longer bolt (not supplied) should be used